

# Wood Pellet Stoves & Heaters



woodco **pro**

# Index



Cadel Hublot 6 Up

Cadel Magritte 6



Cadel Sound 5/7 Up

Cadel Frame 9



Cadel Atena Plus 12/14



Cadel Idro  
Prince 12



Cadel Saturno 16/24



Cadel Maya 16/24



Cadel Idro Prince 30



Woodcopro Pellet  
BBQ's



Woodcopro Pellet  
Hotspot

# Cadel Sound 5/7 Up

5/7kW



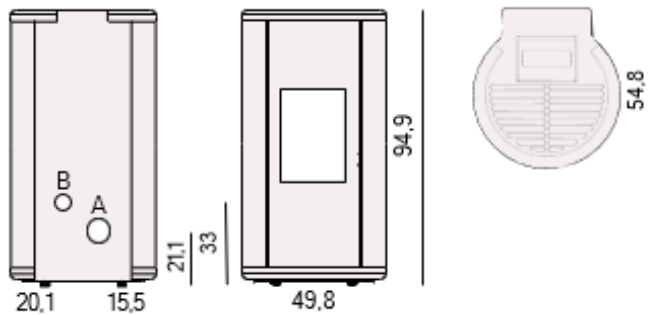
New aesthetic upgrade thanks to the rear outlet Cast iron top and base

Round shape with magic glass

For those who want a small yet powerful round stove. Complete with a sealed chamber and concentric upper outlet. When switched off, the Magic Glass darkens, turning it into a fine decorative item.



Available in white, anthracite and titanium.



 5,5 kW	 6,1 kW	 71 m <sup>3</sup> 157 m <sup>3</sup>	 11 kg	 8,5 h 18,3 h	 0,6 kg/h 1,3 kg/h	 90 %
 91 %	 2,5 kW	 76 kg	 Pellet ø 6 mm	 A	 B	
 4 <sup>+</sup>	 opt	 3	 7	 1-2-3	 7	 3
 Wi-Fi		 1-2-3	 7	 3		

# Cadel Frame 9

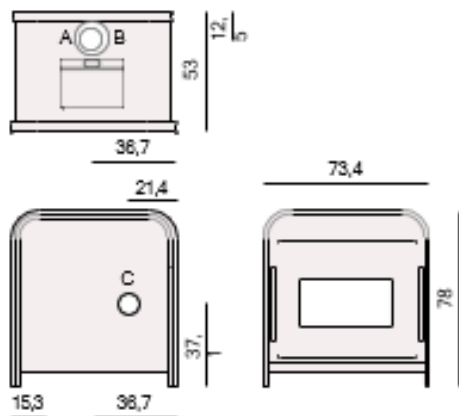
9kW

Large glass window to enjoy the heat of the flame Ducting available.



Refined, metropolitan style, an ample view of the flames within, and elegant legs. Frame fits harmoniously into both contemporary and rustic spaces and, with the addition of the ducting kit, allows more rooms to be heated. The UP version comes with an upper smoke outlet.

Available in anthracite and light bronze.



9,3 kW	10,5 kW	77 m <sup>2</sup> 265 m <sup>3</sup>	15 kg	6,9 h 25 h	0,59 kg/h 2,18 kg/h	89 %
93,9 %	2,7 kW	105 kg	Pellet ø 6 mm	A ø 80 mm	B ø 60 mm	C ø 80 mm
3	Radiator	Flame	opt	Wi-Fi	Bluetooth	
1-2-3	7	Box				

# Cadel Atena Plus 12/14

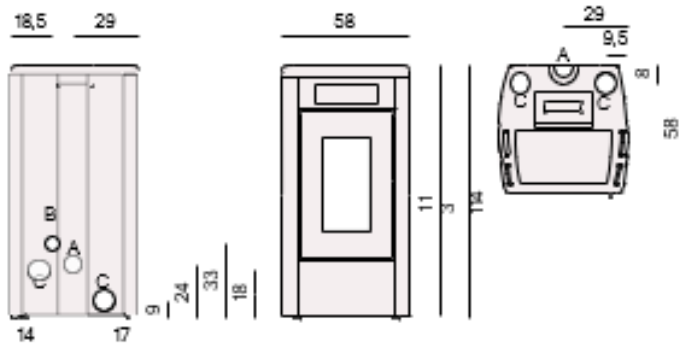
12/14  
kW



Dual rear or top ducting  
managed independently  
Built-in Wi-Fi  
for remote control Upper, back  
or exhaust

Sealed pellet stove with double ducting managed independently. Burning pot, cast iron top and door. With built-in Wi-Fi for remote control. Versatile, can be installed with top or rear smoke outlet. Available in 12kW and 14kW versions.

Available in white, anthracite, red, ivory and titanium.



5,5 kW	6,1 kW	71 m <sup>3</sup> 157 m <sup>3</sup>	11 kg	8,5 h 18,3 h	0,6 kg/h 1,3 kg/h	90 %
91 %	2,5 kW	76 kg	Pellet ø 6 mm	A ø 80 mm	B ø 60 mm	
4★	opt	3	Wi-Fi	Bluetooth	1-2-3	7

# Cadel Idro Prince 12

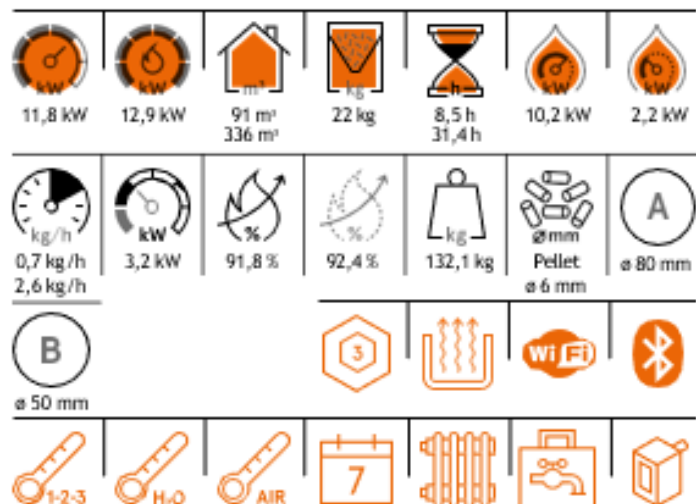
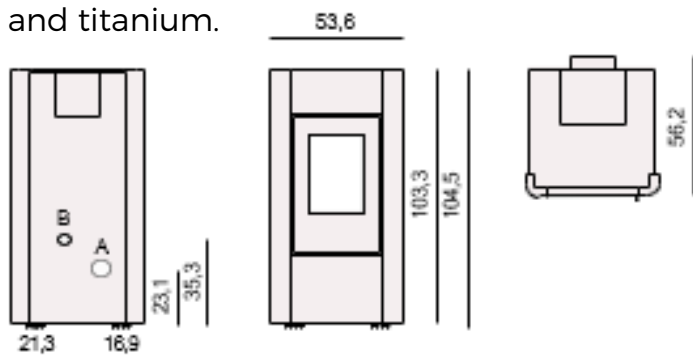
**Boiler  
Stove**

**12 kW**



The hydro pellet stove with a simple and nice design, distinguished by a hydraulic system that fully exploits the generated heat by distributing it in all the spaces of a small home.

Available in white, light bronze, red, anthracite and titanium.





# Cadel Maya 16/24

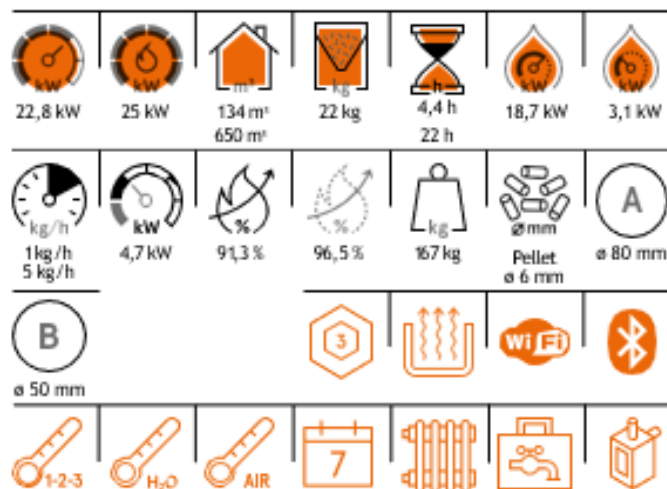
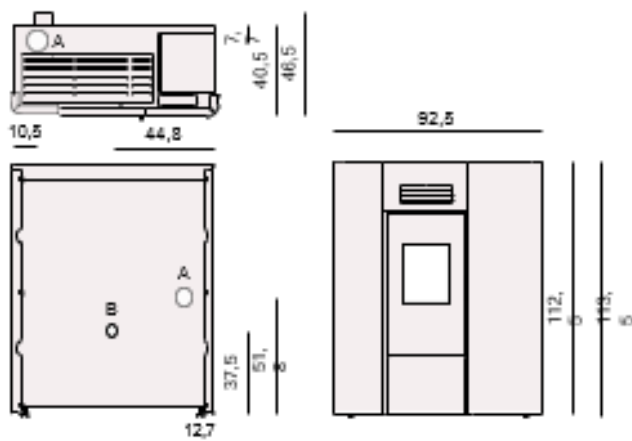
**16/24  
kW**



New model available with outputs of 16 and 24 kW Ventilated and designed for confined spaces Metal cladding in various colours



The ventilated hydro stove designed for small spaces comes with metal cladding and is available in 16 kW and 24 kW versions. Available in white, light bronze, red, anthracite and titanium.





# Cadel Idro Prince 30

**Boiler  
Stove**

**30 kW**

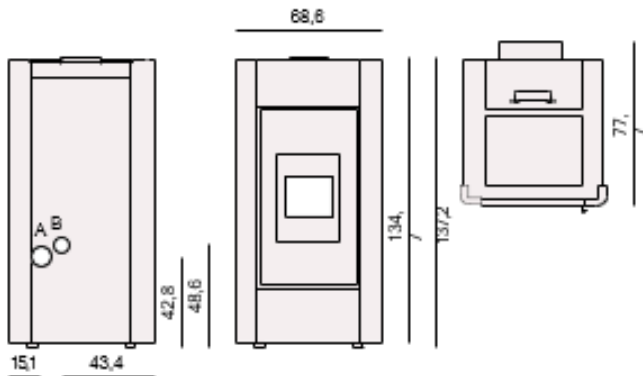


The most powerful of the Hydro stoves 48 kg hopper  
External Wi-Fi included



The hydro pellet stove with an impressive design is distinguished by 30 kW power and a hydraulic system that fully exploits the generated heat by distributing it in all the surrounding spaces. A kit to heat domestic hot water is also available.

Available in white and red.



 28,6 kW	 30,6 kW	 219 m <sup>3</sup> 815 m <sup>2</sup>	 48 kg	 7,6 h 28,2 h	 26,9 kW	 6,2 kW
 17 kg/h 6,33 kg/h	 7,7 kW	 93,6 %	 94,7 %	 265 kg	 Pellet ø 6 mm	 A ø 100 mm
 ø 80 mm	 Wi-Fi		 1-2-3	 H <sub>2</sub> O		
 AIR	 7					




# Wood Pellet Hotspot



More efficient than gas or electricity, Woodco's Hot Spot patio heater runs using wood pellets. This means that the heat generated is not only economical, but fully sustainable. Available with and without a fan!

When choosing a colour, our go-to favourite is the timeless black.

- ✓ Sleek and stylish design
- ✓ Vibrant flame
- ✓ Rust-proof coating + paint
- ✓ Low maintenance
- ✓ Economical
- ✓ Durable build
- ✓ Fully sustainable
- ✓ Large 12kg pellet storage
- ✓ Optional fan
- ✓ Stove effect
- ✓ 180\* flame visibility
- ✓ Lock and safety features

 power 13kW	 weight 90kg	 size 546x520 x2118	 consumption 1.6-3kg / hr	 width 900mm
--	---	---	---	---



woodco pro

# Wood Pellet BBQ's

The BBQ feature a smart burning feature which gives you approx 2hrs of burning time. The pellets are stored underneath the hot plate and heat from the bottom once they are lighting. Plan your trip, assemble, and get cooking.

There are a number of sizes available. Available in white, anthracite, red and titanium.

Wood pellet BBQ's offer a cleaner fuel source than older gas BBQ's. Simply fill with wood pellets, light, and you are ready to go.



Easy To Move



Wood Pellet Fuel



Steel Coating



Up to 250°C



woodco pro

Guaranteed  
Irish



## Head Office

WoodCo Energy  
Donaskeigh  
County Tipperary  
E34 RX89

t: +353 62 74007

e: [sales@woodco-energy.com](mailto:sales@woodco-energy.com)

w: [www.woodco-energy.com](http://www.woodco-energy.com)

woodco pro

